



**Start Elevator Srl**

COMPONENTI OLEODINAMICI PER ASCENSORI

---

**Operating instructions**

---

**96/U - 98/U - 01/U PUMP UNIT**

**GB**

## Contents

- 1 Preliminary operations
  - 1.1 Delivery inspection
  - 1.2 Warehousing
  - 1.3 Displacement
- 2 Operating limits
  - 2.1 General instructions
  - 2.2 Specific limits
- 3 Installation
  - 3.1 Oil type
  - 3.2 Electrical connections
  - 3.3 Hydraulic connection
- 4 Starting up
  - 4.1 Starting
  - 4.2 Diagrams and adjustments
  - 4.3 Working
  - 4.4 Accessories installation and adjustments
  - 4.5 Test and trying
- 5 Maintenance
  - 5.1 Failures search
  - 5.2 Periodical checks
- 6 Declaration of Conformity



## ANNEX

This book is integral part of the unit therefore must be kept for the lasting in operation of the unit, in a place accessible and known by the installation, use and maintenance personnel.

The herewith instructions aim to permit the positive and safe execution of the installation operations, starting-up, working, control, maintenance and possible repair of the pump unit.

If any situation or event, not specified in the following pages, should occur, please refer to our Technical Department. For any request of general technical information or spare parts, please quote the right series number of the pump unit (see Annex 1).

## SYMBOLS LEGEND

- |  |   |   |  |
|--|---|---|--|
|  | This symbol warns that not observing the related instruction involves a risk of damage to the unit or to the system |  | This symbol warns that not observing the related instruction involves an electric shock risk |
|--|---|---|--|

## 1. Preliminary operations

### 1.1 Delivery inspection

At the delivery, check that the pump unit has not suffered from any damage during transport, check that the packing is integral and that there are all the necessary accessories and/or required, moreover, check the correspondence of the specifications on the forwarding and identification plates to the order. (Annex 1)

In case of damages, anomalies or lacks, please opportunely inform our Technical Department.

### 1.2 Warehousing

Awaiting installation, the pump unit must be kept out of the bad weather (it can particularly get damaged by water, damp and sun) and in a steady position, to avoid overturn risk. It's not advisable to place one unit over the other. The temperature in the warehouse must be between -25 and +50 °C

### 1.3 Displacement

The pump unit must be displaced with care, using its special handles, with transpallet or with trolleys, trying to avoid crashes, falls and overturns which may cause damages even without apparent breakdowns.

*Note: Overall dimensions for warehousing and displacement operations are in Annex 2.*

## 2. Operating limits

### 2.1 General instructions

- The installation of a pump unit in a system, that is not in conformity with the rules in force, is forbidden.
- The pump unit has been designed and manufactured to be combined with Start Elevator Hydraulik cylinder-piston groups. For uses in different combinations, please opportunely contact our Technical Department.
- The pump unit must be installed in an airy premises, off dust and damp.

### 2.2 Specific limits

- |  |           |
|--|-----------|
| - Maximum operating static pressure                  | 70 bar    |
| - Maximum pressure of the overpressure valve setting | 85 bar    |
| - Maximum oil temperature                            | 60° C     |
| - Engine room temperature                            | 5-40° C   |
| - Noise level : 1 meter survey                       | 62-63 dbA |

## 3. Installation

To avoid vibrations it's suggested using rubber supports under the pump unit

### 3.1 Oil type

The oil to use must have particular specifications which permit to avoid wear and tear in the unit materials and which permit a proper working of the system.

Use top quality oils, with high viscosity index, specific for this kind of installation.

In order to choose the right oil type, please refer to the following oil characteristics


Scale ISO 46 or 68 class HV

Additives: antifoam, antiwear, antioxidative, antirust, improvement viscosity index, improvement sliding point


Characteristics Physical - Chemical:

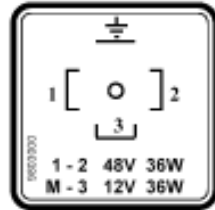
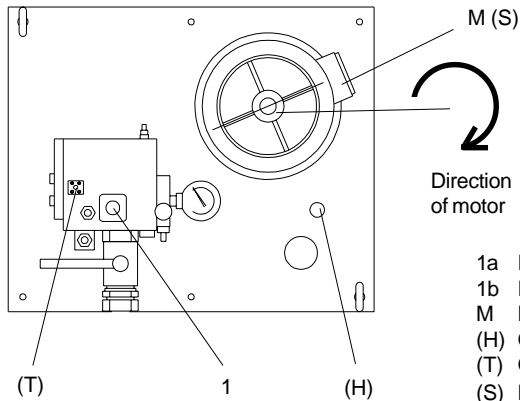
- specific weight 0.86 Kg/dm<sup>3</sup>
- viscosity at 40° C 46 cSt - working temperatures 15-50° C
- viscosity at 40° C 68 cSt - working temperatures 25-55° C
- viscosity index > 140

Before using any oil with different specifications please consult our Technical Department

 Before introducing any oil in the tank, please verify that this is perfectly clean and dry

### 3.2 Electrical connections

 Execute the earth connection before any other connection !



- 1a Downstroke solenoid valve 45 W
- 1b Downstroke solenoid valve 48/12 cc 36 W
- M Motor terminal board
- (H) Oil heater resistance 70 W
- (T) Oil thermostat 70° C opening
- (S) Motorprotector

### MOTOR CHARACTERISTICS

Single-phase

Nominal current to

230 V:

- 1.1 kw 7.7 A
- 1.5 kw 10 A
- 2.2 kw 14.6 A
- 3 kw 18,5 A

Frequency

50 Hz

Isolation

IP 54

RPM

2800

Three-phase

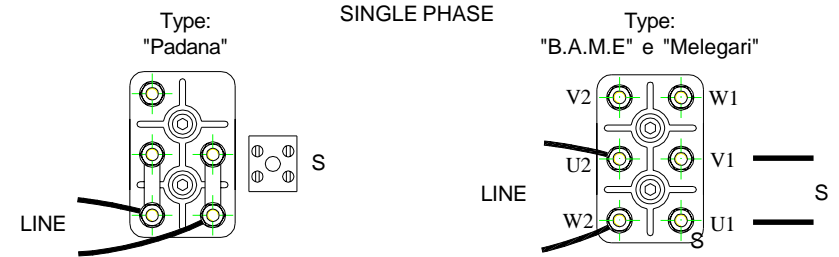
Nominal current to 400 V:

- 1.1 kw 2.7 A
- 1.5 kw 3.5 A
- 2.2 kw 5 A
- 3 kw 6.5 A
- 4 kw 8.5 A

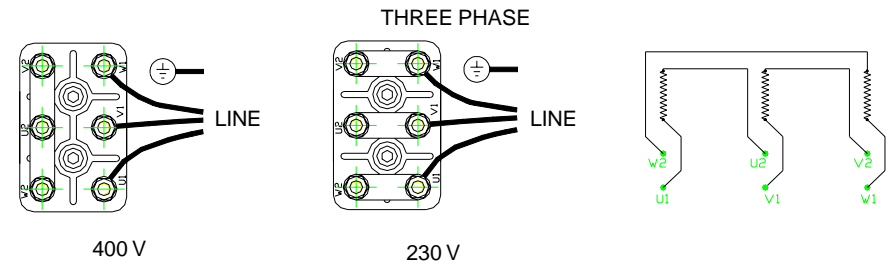
Starting current = 3 times the Nominal current

### MOTOR ELECTRICAL DIAGRAM

Connect the line input in accordance with the original motor terminal board configuration :



For other motors type to refer to the motor's enclosed instruction page.



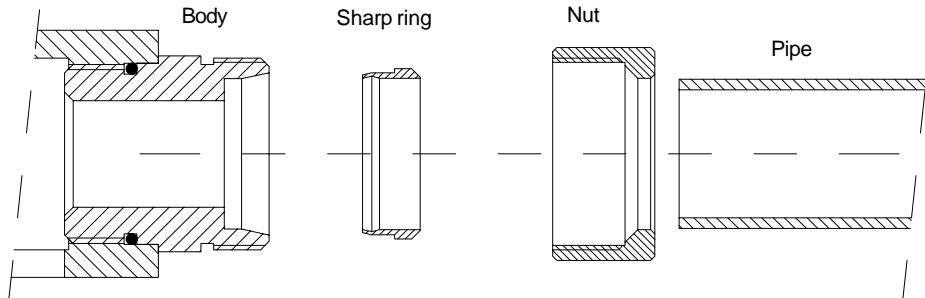
### 3.3 Hydraulic connection

When the pump is supplied without the flexible pipe for the hydraulic connection, it is necessary to determine the suitable pipe and connection to use on the basis of the following table

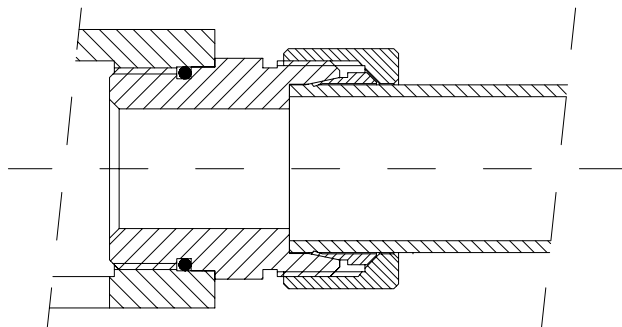
Pump Type [l/min]	Pump unit connection type	Connecting pipe type
8-16	GAS 1/2 MALE	- FLEXIBLE PIPE 1/2 R1 with connections GAS FEMALE 1/2 (see 3.3.2)
8-35	ERMETO PIPE 28	- RIGID PIPE 28 (see 3.3.1) - TUBO FLESS. 1" R2 with connections HERMETIC FEMALE O'RING OG.24° LIGHT SERIES FIL. M 36x2 (see 3.3.2)
	GAS 1" MALE	- FLEXIBLE PIPE 1" R2 with connections GAS FEMALE 1" (see 3.3.2)
	GAS 3/4 MALE	- FLEXIBLE PIPE 3/4 R1 with connections GAS FEMALE 3/4 (see 3.3.2)

### 3.3.1 Connection with rigid pipes

For a correct use and relative technical yield of the connection it's necessary to use high quality pipes.  
Use: COLD FINISHED PRECISION PIPES WITHOUT WELDING NORMALIZED BONDERIZED FOR OLEODYNAMIC CIRCUITS, DIN 2391/C ST 35.4.  
Maximum permitted hardness, measured on the external pipe diameter: 75 HRB.



1. Cut right angle the pipe (do not use roll pipe cutters). Clean from external and internal deburrings, protecting the faying surface.
2. Grease with oil the cone and the thread of the body, the sharp ring and the nut thread.
3. Drive the nut first and then the ring on the pipe; **THE SHARP RING EDGE MUST FACE THE PIPE FITTING BODY.**
4. Drive the pipe into the cone of the body to lean it to its beat. Hand screw the nut to the complete tightening.
5. Keep the pipe on its beat and make sure it can't turn. Screw the tightening nut three fourth turn using a wrench with an extension arm.  
In this way the sharp edge of the ring engraves the external part of the pipe and creates a rim in front of its sharp edge.
6. Screw anticlockwise the nut and check the evenness of the engravement rim made by the sharp ring all around the pipe.
7. Screw clockwise the nut to encounter a certain resistance and then one more 1/4 turn.



### 3.3.2 Connection with flexible pipe

Before screwing the flexible pipe on the pump unit connection, check that:


1. on the pipe there is a plate that specifies the pipe type, the working pressure and the date of testing.
2. both the pump unit connection and the pipe fitting are clean.

For pipes with HERMETIC FEMALE fitting, before screwing the pipe it's necessary to take the nut and the ring off the pump unit connection.

## 4. Starting up

### 4.1 Starting

After having followed the instructions about connections, explained in chapter 3 (Installation) it is possible to start the motor:

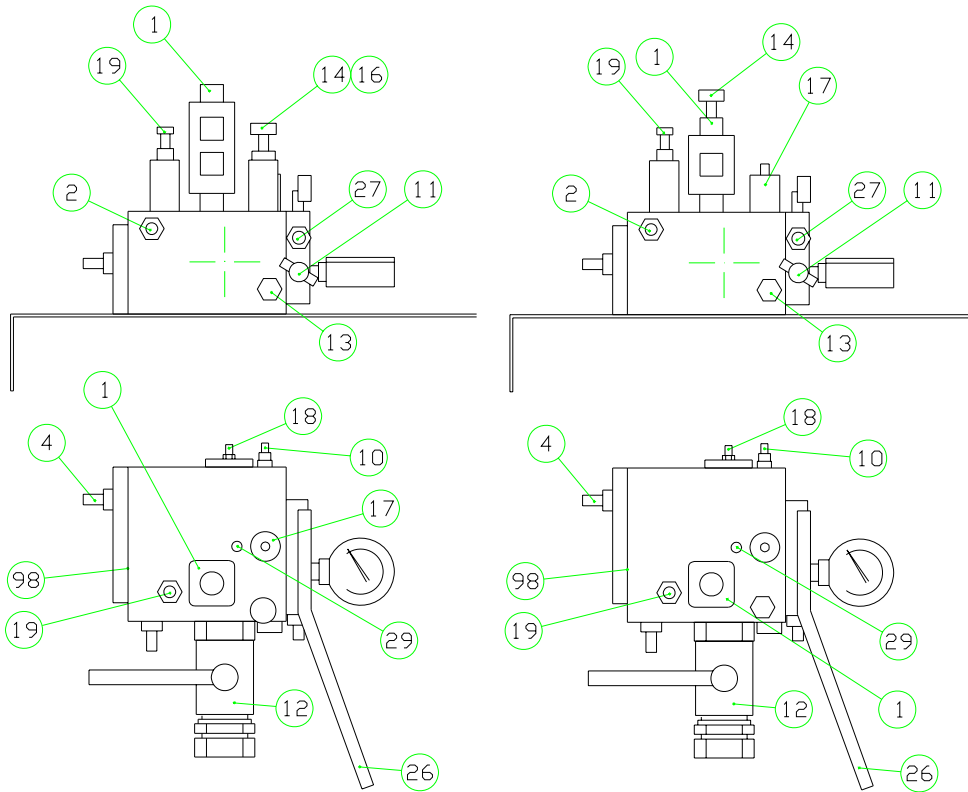
 start the motor only after the connection of its protection.

If the motor is noisy on the first start it probably turns in the wrong direction, it is thus necessary to reverse two of the feeding phases.

Once ascertained that the motor turns regularly it is necessary to fill the piston and the hydraulik circuit:

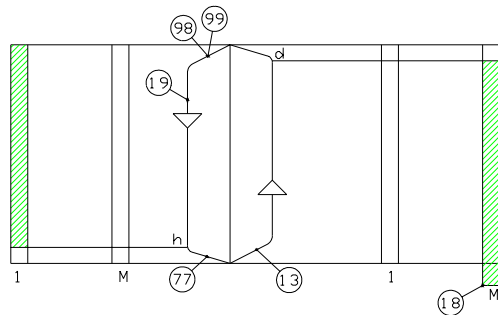
- Screw anticlockwise for two turns the bleeder screw on the piston.
- Start jogging the motor, for ten seconds, with short breaks, checking the oil level in the pump unit, till when the oil comes out of the piston bleeder screw.
- Close the piston bleeder screw and complete the filling of the pump unit.
- Take the piston in the upstroke position, the oil level in the pump unit must be above the minimum mark of the control dipstick and it must be at least 5 cm above the lower part of the pump.
- Make the piston and pump unit bleeding operations several times in order to eliminate all the air in the hydraulic circuit.

## 4.2 Diagrams and adjustments

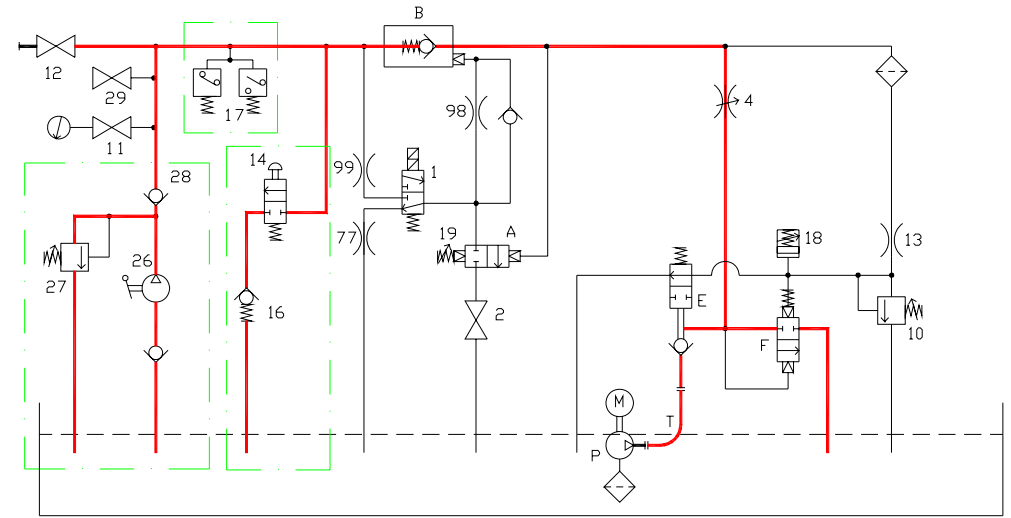


4.2a Indirect execution

4.2b Direct execution



ON      OFF



### LEGENDA

- |  |   |
|--|---|
| 1 Downstroke solenoid valve                            | 26 (Hand pump)                              |
| 2 Fastening screw test                                 | 27 (Hand pump safety valve adjusting screw) |
| 4 (Calibrate downstroke and upward speed)              | - clockwise increase (+)                    |
| - clockwise increase (+)                               | - anticlockwise decrease (-)                |
| - anticlockwise decrease (-)                           | 28 (Hand pump non-return valve)             |
| 10 Maximum pressure valve adjusting screw              | 77-98-99 Throttles                          |
| - clockwise increase (+)                               |   |
| - anticlockwise decrease (-)                           |   |
| 11 Gauge cut-out cock                                  | A Pressure regulator assembly               |
| 12 Valve cut-out cock                                  | B Pilot-operated non-return valve           |
| 13 Upward start throttle                               | E Pump non-return distributor valve         |
| 14 Emergency downstroke pushbutton (solenoid valve)    | F Upward starting and safety valve          |
| 16 Calibrate non-return valve (against rod downstroke) | M Asynchronous motor                        |
| 17 (Pressure switches)                                 | P Three screw pump                          |
| 18 Upward starting time adjusting screw                | T Flexible pipe                             |
| - clockwise decrease (-)                               |   |
| - anticlockwise increase (+)                           |   |
| 19 Downward speed adjusting screw                      |   |
| - clockwise increase (+)                               |   |
| - anticlockwise decrease (-)                           |   |

Note: the devices in brackets are supplied on request only

h - downward stop contact  
d - upward stop contact

### 4.3 Working

#### UPSTROKE 1/6 - STANDING

In this phase all the components are at rest and the system is kept steady from the shutdown of the non-return valve <B>.

#### UPSTROKE 2/6 - STARTING

Starting of the motor <M> .

#### UPSTROKE 3/6 - OUTLET IN THE TANK

The whole delivery of the pump is discharged in the tank through the valve <F> while the valve <18> accumulates the oil of the pilot circuit.

**If the valve <18> is adjusted with short stroke, the system will jerk in departure.**

#### UPSTROKE 4/6 ACCELERATION

When the valve <18> has finished its stroke, the pilot oil comes to close the valve <F> with consequent increase of pressure in the valve group. When the pressure reaches the one of the system the valve <B> will open and the system will start moving. The movement of valve <F> depends on the throttle <13> that controls the passage of the oil in the pilot circuit.

**If the throttle <13> is obstructed the valve group cannot achieve the upstroke pressure.**

#### UPSTROKE 5/6 HIGH SPEED

In high speed all the oil of the pump flows towards the valve <B> and then towards the piston.

#### UPSTROKE 6/6 STOP

In connection with the floor break feeding to the motor <M>.

#### DOWNSTROKE 1/5 STANDING ( see corresponding upstroke phase)

#### DOWNSTROKE 2/5 STARTING

Activation of the downstroke solenoid valve <1> .

The solenoid valve <1> pilots through the throttles <99-98> the piston that releases the non-return valve <B>.

The opening of the non-return valve <B> determines the gradual downstroke of the system.

#### DOWNSTROKE 3/5 REGULATOR INTERVENTION

The increase in the oil speed determines a correspondent increase of pressure in the valve group. When the pressure value correspondent to the setting <19> is reached, the valve of regulator <A> intercepts the pilot oil of the non-return valve and sends it in draining through the passage <2>.

#### DOWNSTROKE 4/5 HIGH SPEED

The high speed is reached when the non-return valve is in such a position that the pressure in the valve group it's the same of the pressure regulator setting.

#### DOWNSTROKE 5/5 STOP

In connection with the floor break feeding to the solenoid valve <1>, it will send in draining the pilot oil of the non-return valve <B> through throttles <77> with gradual stop of the system.

### SAFETY VALVE INTERVENTION

During upstroke, an unusual increase of pressure, higher than the setting of the valve <10>, causes its opening and the draining of the pilot oil of the non-return valve <F>.

The lack of its pilot opens completely the valve <F> and sends in draining the oil that flows from the pump, and the system stops immediately.

The system is automatically reset as soon as the overpressure stops.

### MANUAL EMERGENCY DOWNWARD

Press the emergency downstroke button to start the cock <14> that directly discharges the oil of the circuit, permitting the manual downstroke of the cabin.

In indirect systems the manual operation is automatically interrupted when the setting of the valve <16> is reached. It closes the passage of the oil to the cock.

### MANUAL EMERGENCY UPWARD

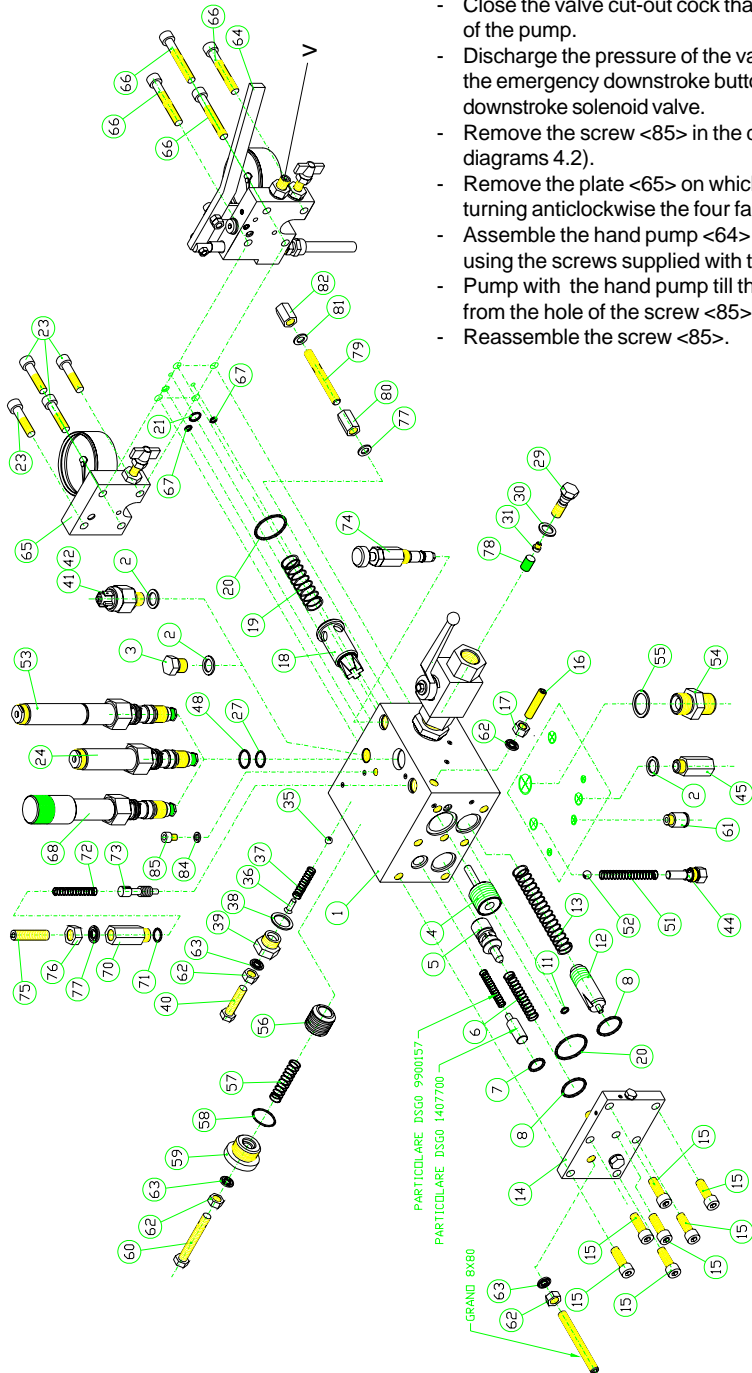
When on the valve group is fitted the hand pump <26> (always fitted in indirect systems) use the issued lever to pump the oil to the hydraulic circuit in pressure, through the non-return valve <28> in order to lift the cabin.

In case of over pressure during the pumping, the safety valve intervenes <27> and it sends in draining the delivery oil of the pump, thus interrupting the upward of the cabin.

#### 4.4 Installation and accessories adjustment

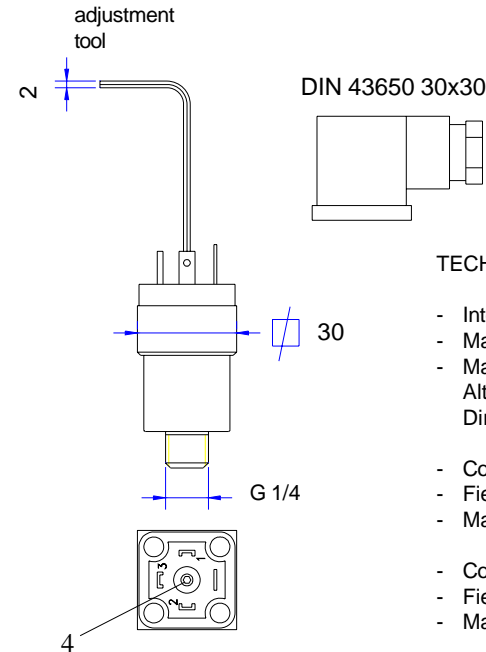
##### 4.4.1 Emergency upstroke device (hand pump)

- Close the valve cut-out cock that is on the external part of the pump.
- Discharge the pressure of the valve group operating on the emergency downstroke button and on the downstroke solenoid valve.
- Remove the screw <85> in the drawing (pos 29 in the diagrams 4.2).
- Remove the plate <65> on which the gauge is fixed turning anticlockwise the four fastening screws <23>.
- Assemble the hand pump <64> in the place of the plate, using the screws supplied with the hand pump.
- Pump with the hand pump till the transfer of the oil from the hole of the screw <85>.
- Reassemble the screw <85>.



- To verify the pressure setting of the hand pump safety valve, it's necessary to pump and control the value on the gauge. It's possible to set it adjusting the screw <V> (Pos. 27 in the diagrams 4.2). For the adjusting value follow the system scheme instructions. In any case it must be lower than 2.3 times the maximum static pressure.
- Open the valve cut-out cock.

The pressure switch permits to commute an electrical circuit when in the hydraulic system the pressure switch setting is reached or is over.



##### TECHNICAL CHARACTERISTICS

- |                           |                       |
|---------------------------|-----------------------|
| - Intervention tolerance  | ± 4 % of set pressure |
| - Maximum static pressure | 200 bar               |
| - Maximum contact load    |                       |
| Alternating current up to | 250 Volts - 0.5 Amp   |
| Direct current up to      | 125 Volts - 0.25 Amp  |
|                           |                       |
| - Code                    | PRSM005050D           |
| - Field of adjusting      | 5-50 bar              |
| - Mark recognition        | DIW0/50               |
|                           |                       |
| - Code                    | PRSM010100D           |
| - Field of adjusting      | 10-100 bar            |
| - Mark recognition        | DIW0/100              |

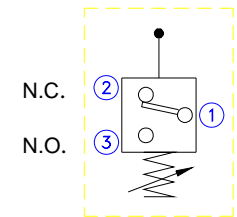
Pressure setting to be executed before connecting the pressure switch to the control board:

It's necessary to have an instrument that relieves the electrical continuity between the taps 1-2 of the pressure switch (N.C.) or between the taps 1-3 (N.O.)

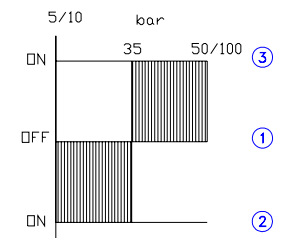
Moreover it's necessary to take the pressure of the system to the operating value.

If the switch 1-2 is closed (1-3 open) gradually turn anticlockwise the screw <4> to open the switch 1-2 (1-3 closed).

If the switch 1-2 is open (1-3 closed) gradually turn clockwise the screw <4> to close the switch 1-2 (1-3 open), then screw anticlockwise to open the switch 1-2 again (switch 1-3 closed).



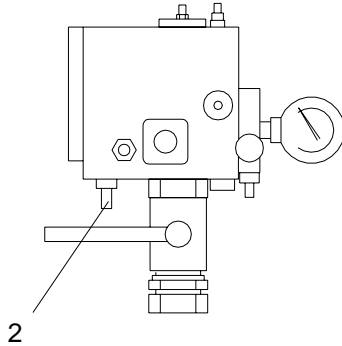
35 bar adjustment exemplar



## 4.5 Test and trying

### 4.5.1 Drop test

- Clockwise adjust the screw <2> and block the seal nut.
- Send the cabin full load to a top floor and start the downstroke.
- The safety valve must operate.
- Then anticlockwise adjust the screw <2> and take it to the original projection.
- Make sure that the pressure in the pump, during the upstroke, hasn't changed.



### 4.5.2 Double pressure test

When there is no hand pump installed on a unit ( i.e.: direct system) the pressure test must be carried out with an external hand pump fitted with a flexible pipe to be connected to the unit and with a gauge for the control of pressure.

Connect the hand pump it is possible to use one of the pressure switches <3> 1/4 Gas Female type.

When it is used the hand pump equipped with the unit, see chapter 4.4.1 for installation and adjustment.

Note: Do the test only when the oil temperature is stabilized.

### 4.5.3 Operating pressure survey

It is possible to measure the different pressures with the issued gauge fitted on the unit (0-100 bar).

When the unit is equipped with the hand pump, the gauge is fitted on its body, however there is a gauge cut-out cock to be closed after the survey.

The pressure records to verify are: 1) static loadless, 2) static full load, 3) dynamic upward, 4) dynamic downward.

The static pressure survey must be carried out after the discharging of the dynamic overpressures by shortly pressing the manual downstroke button.

### 4.5.4 Safety valve pressure setting

To verify the setting value of the overpressure valve close the valve cut-out cock and open the gauge cut-out cock.

Start the upward motor, and press shortly the emergency downstroke button to stabilize the reading value, it must not be higher than 140% of the full load static pressure.

The motor must not operate for more than 5-6 sec.

At the end of the test discharge the pressure with the emergency downstroke button and then close the gauge cut-out cock and open the one of the valve group.

During normal operation make sure that no oil comes out of the discharge hole <F> of the safety valve, otherwise operate as shown in chapter 5.1.1.

### 4.5.5 Emergency downstroke minimum pressure valve test (not loosening ropes in indirect systems).

When the cabin is blocked on its drives by the parachuting devices, press the emergency downstroke button: the piston must not go down.

The emergency downstroke minimum pressure valve test is composed by a ball and a spring accessible by removing the emergency downstroke button. Its setting is fixed.

### 4.5.6 Slow downstroke test

Carry out the test only when the oil temperature is stabilized.

Before beginning the test shortly press the emergency downstroke button to discharge possible overpressures in the system circuit and to avoid frictions on guides.

The cabin has to go down 10 mm in 10 min maximum.

## 5. Maintenance



Before working on the unit make sure that the power switch is off and remember to completely discharge pressure in the system.

### 5.1 Failures search (Ref. Diagrams and adjustments chapter 4.2)

UPWARD PROBLEMS	POSSIBLE CAUSES	Chapter
The motor hardly turns or gives vibrations	- Wrong motor connection	(3.2)
The system does not go up and the motor works regularly	- Upward start throttle <13> obstructed - Safety valve <10> lacking	(5.1.1) (5.1.1)
The system starts with a jerk	- Mechanical starting <18>: verify the adjustment and sliding of the valve	
Slow speed at full load	- Adjustment of the safety valve <10>	(4.5.4)
The hand pump does not work	- To prime and to adjust the pump	(4.4.1)

DOWNWARD PROBLEMS	POSSIBLE CAUSES	Chapter
The system does not start	- Downstroke solenoid valve <1> - Throttle <98> obstructed - Pressure switch <A> blocked	(5.1.2)
Slow speed	- Downstroke solenoid valve <1> - Pressure regulator <A>	(5.1.2)
The system stops after a while and the pressure in the unit falls to zero	- Pressure regulator <A> blocked (the valve on the piston operates)	
The system lowers without leaking in the circuit.	- Non-return valve gasket <B> - Downstroke solenoid valve lacking <1> - Emergency downstroke cock <14> - Non-return hand pump valve <28>	(5.1.3) (5.1.2) (5.1.2) (5.1.2)
The test of not loosening ropes in emergency downstroke, gives a negative result	- Emergency downstroke minimum pressure valve <16> lacking	(5.1.2)

### 5.1.1 Intervention on the safety valve circuit

To avoid upward problems related with the safety valve circuit it is important to operate as follows:

- Remove the throttle that controls the upstroke starting <13> and then replace its screw without the throttle.
- Anticlockwise loosen the adjusting screw of the safety valve <10>, note down the position first, till when the spring does not operate any longer.
- Start the main motor and leave it working for 5-7 sec., so that the system does not start, but the oil flows in the safety valve circuit and cleans it.
- Stop the motor and check that the throttle is completely free, then replace it on the screw <13>.
- Adjust the screw <5> in the original position and then verify the setting of the safety valve as shown in chapter 4.5.4

### 5.1.2 Intervention on solenoid valves and on ball valves

Verify the electrical excitation and the deenergization of the coil of the solenoid valve

Make sure no impurities are under the ball.

If necessary, change the ball using an "A" type and give a firm stroke on the ball when it is in its seat.

### 5.1.3 Change of the non return valve gasket

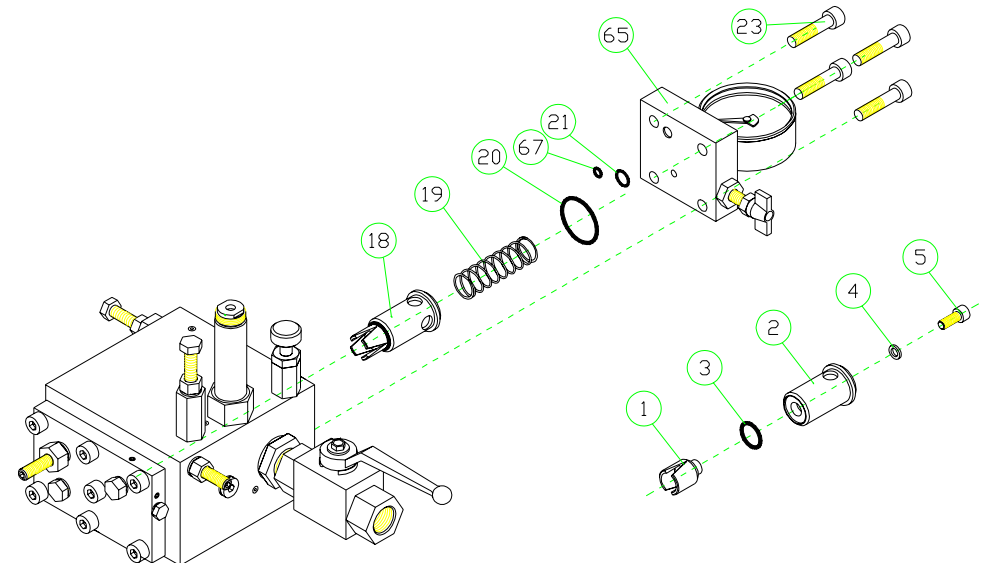
After having relieved pressure from the valve group remove the hand pump or the gauge plate.

Then operate to the spring and to the non-return valve.

Anticlockwise turn the screw <5> to open the valve, keep attention not to damage the sliding parts of side <1>.

The measures of the "OR" gasket are: wire diameter 2.62 mm., internal diameter 15,08 mm.

Place the new gasket in the valve seat and press it controlling if any irregularity on the circumference may occur. Replace the valve in the group controlling that the sliding is free.



file L98Ug0701.p65

## 5.2 Periodical checks

The following checks must be carried out immediately after installation, afterwards it is recommended to carry them out with the stressed periodicity

CHECK TYPE	PERIODICITY	Chapter
Valve group seal	every 1-2 months	(4.5.6)
Oil level	every 1-2 months	
Oil Conditions	after 1-2 months then every year	
Motor protection efficiency	every year	
Working pressure	every year	(4.5.3)
Safety valve pressure setting	every year	(4.5.4)
Double static pressure test	every year	(4.5.2)
Dropping test	every year	(4.5.1)
Emergency downstroke minimum pressure valve test (not loosening ropes in indirect systems)	every year	(4.5.5)
Plates and diagrams	every year	Annex 1

## 6. Declaration of conformity

We Start Elevator Srl  
29010 Incrociata di Calendasco (Piacenza)

Declare under our sole responsibility that the product:

Type 96/U-98/U  
Serial No. from 98 00001

to which this declaration relates, is in compliance with:

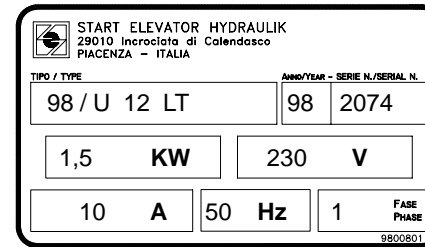
- the *UNI EN 81.2 1998* standard
- the *89/336/EC* directive, according to *EN 50081-1* and *EN 50082-2* standards

Calendasco, li 20/09/04

Start Elevator Srl  
legale rappresentante  
Lucchini Pier Guido

## PUMP UNIT PLATES

### A1.1 Identification plate



Color: GREY  
Dimensions: 100 x 60 mm  
Location: under cover top right

### A1.2 Forwarding plate

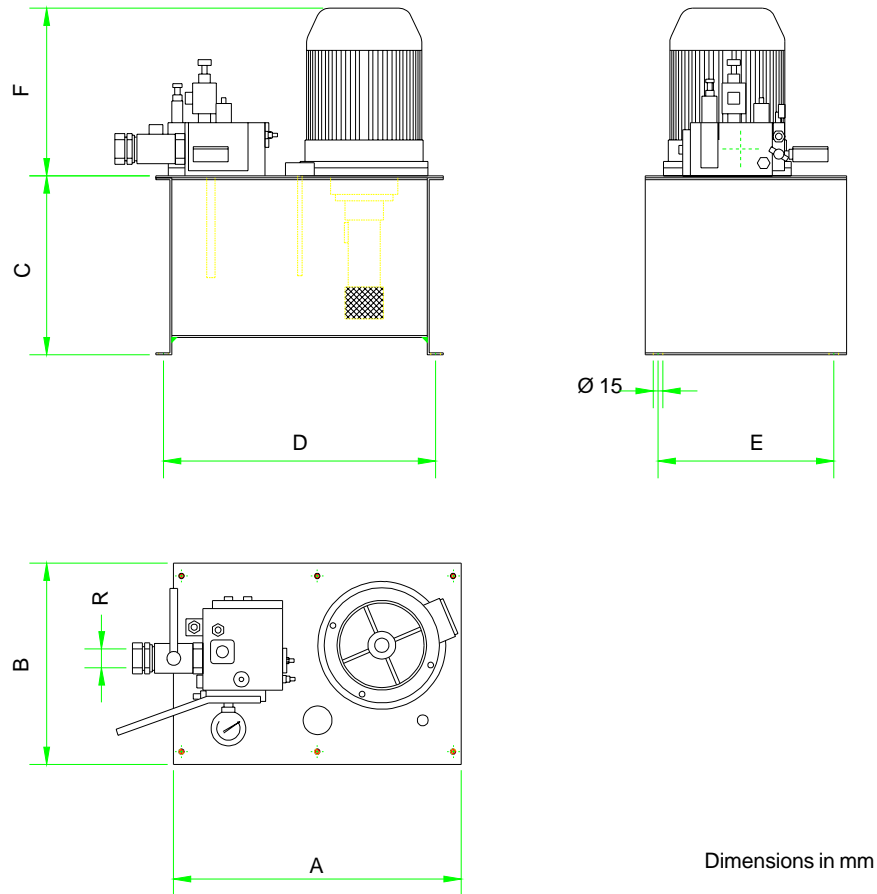


Color: WHITE  
Dimensions: 200 x 70 mm  
Location: upon cover top right

### A1.6 Electrical motor plate

Location: on the connecting box in the pump unit

### DIMENSIONS OF THE PUMP UNIT



Dimensions in mm

empty page

Tank type	Pump type [l/min]	DIMENSIONS							CAPACITY [litres]		Weight [Kg]
		A	B	C	D	E	F	R	Min. Level	Available	
98 / 01	8 - 25	450	315	280	426	275	295	G1/2 - G3/4	8	19	40
96 SL	8 - 25	570	355	363	466	315	310	G1/2 - G3/4	17	24	50
	8 - 25 PROL.								7	34	
	30, 35								11	30	
01	8 - 25	720	415	403	690	375	330	G1/2 - G3/4	30	40	60
	8 - 25 PROL.								17	53	
	30, 35								17	53	

file L98Ug0701.p65

SYSTEM DETAILS

NOTES

System Reference: \_\_\_\_\_

\_\_\_\_\_

Year: \_\_\_\_\_ Serial number: \_\_\_\_\_

Pump Liters \_\_\_\_\_ Power \_\_\_\_\_

\_\_\_\_\_

\_\_\_\_\_

\_\_\_\_\_

\_\_\_\_\_

Static pressure loadless: full load:

Full load upward dynamic pressure : downward:

Safety valve pressure setting: \_\_\_\_\_

\_\_\_\_\_

\_\_\_\_\_

\_\_\_\_\_

\_\_\_\_\_

BY TECHNICAL OFFICE  
96/U-98/U-01/U 1-2007



**Start Elevator Srl**

COMPONENTI OLEODINAMICI PER ASCENSORI

29010 Incrociata di Calendasco (PIACENZA) - ITALIA

Tel. +39 0523 771131 - 0523 772774 Fax +39 0523 771632

e-mail: [startelevator@startelevator.it](mailto:startelevator@startelevator.it) - Internet: <http://www.startelevator.it>

C.F. e P.I. 01410730335 - C.I. IT 01410730335 - R.I. PC 01410730335 - R.E.A. 160057

Cap. Soc. Euro 40.000 i.v.